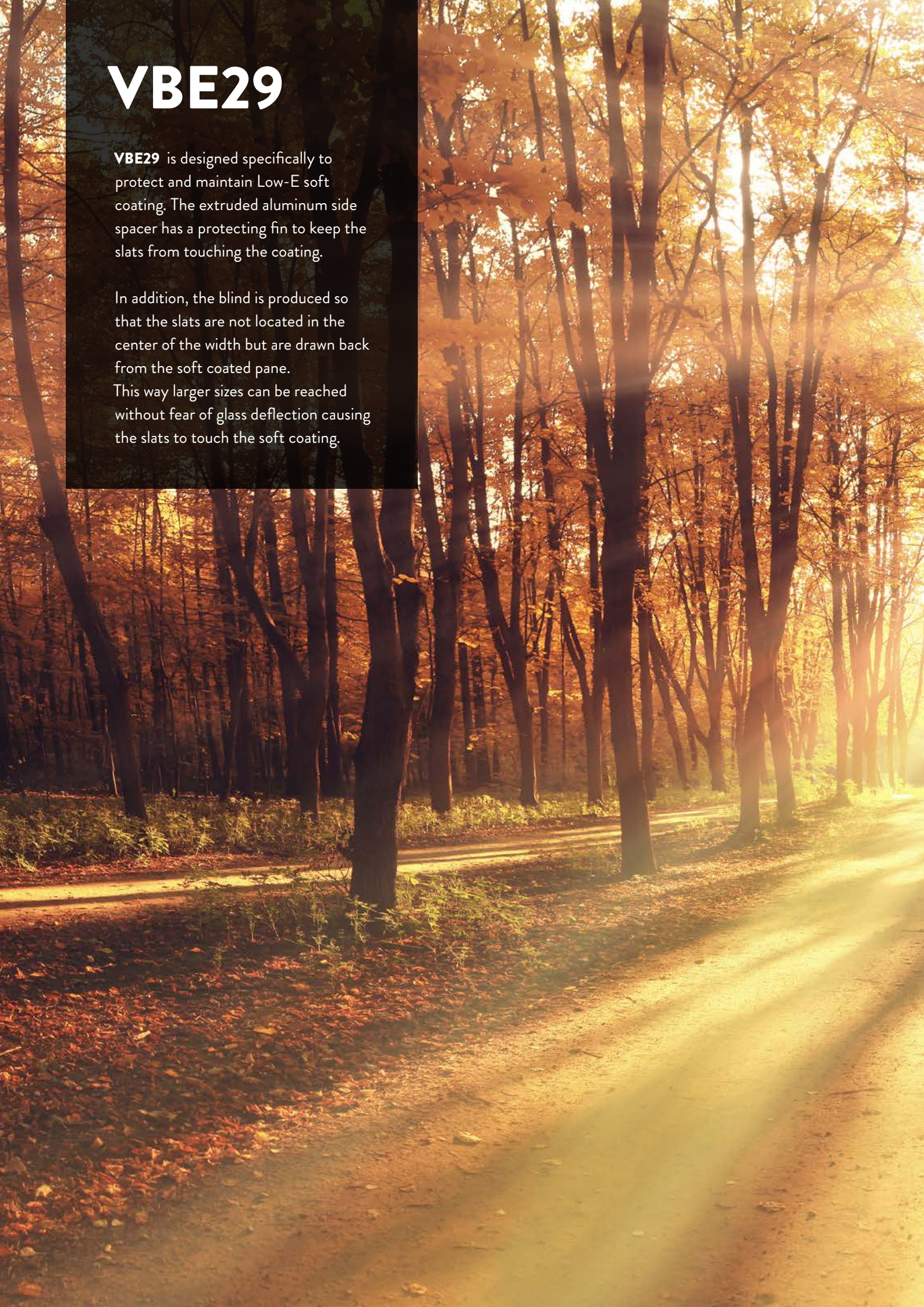


VBE29

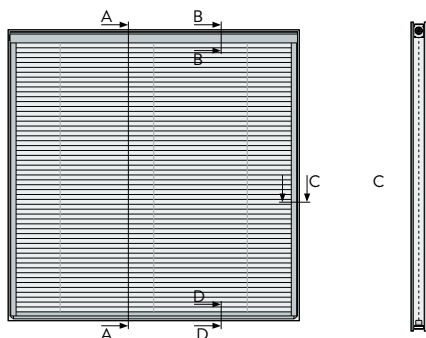
VBE29 is designed specifically to protect and maintain Low-E soft coating. The extruded aluminum side spacer has a protecting fin to keep the slats from touching the coating.

In addition, the blind is produced so that the slats are not located in the center of the width but are drawn back from the soft coated pane. This way larger sizes can be reached without fear of glass deflection causing the slats to touch the soft coating.

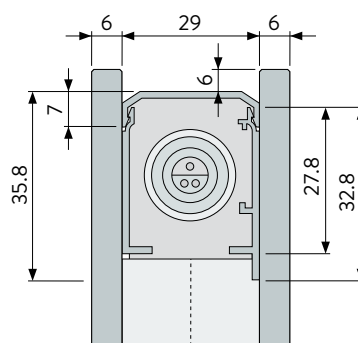


DETAILED DIMENSIONS in mm

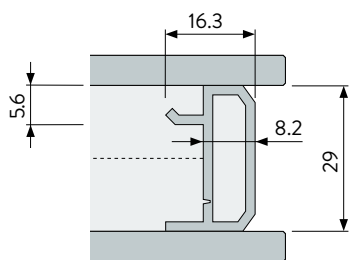
SECTION A-A



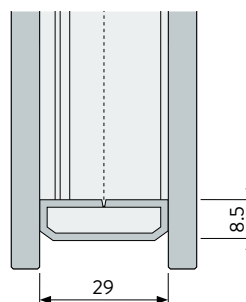
SECTION B-B



SECTION C-C



SECTION D-D



POWER AND COMMAND SOCKET

